

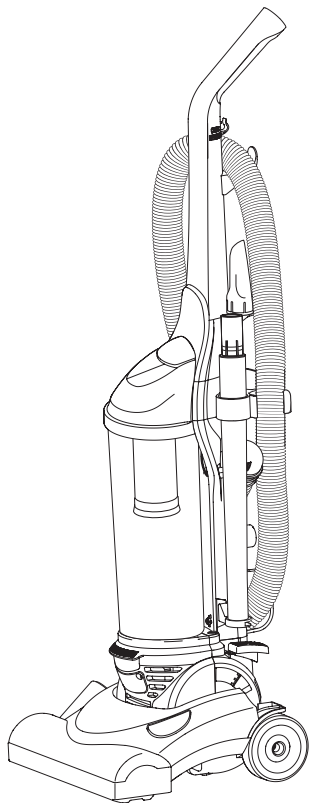
Thinking of you

 **Electrolux**

Upright Vacuum Cleaner Owner's Guide

Household Type

Z4700 Series



IMPORTANT

Please read these instructions for advice on the maintenance of your cleaner.

2-4 **IMPORTANT INFORMATION**

4 **GUARANTEE**

5 **QUICK REFERENCE**

5-8 **HOW TO ASSEMBLE**

9-10 **HOW TO USE**

11 **ROUTINE MAINTENANCE**

11 **Empty Dust Cup**

11 **Clean Dust Cup Filter**

12 **PERIODIC MAINTENANCE**

12 **Brushroll**

12 **Brushroll Belt**

13-15 **PROBLEM SOLVING**

13 **Clear Hose**

13 **Thermal Cut Off**

14 **Mini Turbo Nozzle**

 *The Electrolux Group.*

FILTER REPLACEMENT CODE: EF86b

www.electrolux.co.uk

IMPORTANT SAFEGUARDS

When using an electrical appliance, basic precautions should always be followed, including the following:

READ ALL INSTRUCTIONS BEFORE USING THIS VACUUM CLEANER.

WARNING


IMPORTANT INFORMATION

To reduce the risk of fire, electric shock, or injury:

- Do not use outdoors or on wet surfaces.
- **Do not leave vacuum cleaner whilst plugged in.** Turn off the switch and unplug the electrical cord when not in use and before servicing.
- **DO NOT PLACE CLEANER ON FURNITURE OR STAIRS AS THE BRUSHROLL MAY CAUSE DAMAGE.** Place cleaner on floor with the handle in the storage position while using attachments.
- This appliance is not intended for use by any persons (including children) with reduced physical, sensory or mental capabilities, or a lack of experience and knowledge, unless they have been given supervision or instruction concerning use of the appliance by a person responsible for their safety.
- Children should be supervised to ensure that they do not play with the appliance.
- Use only as described in this manual. Use only manufacturer's recommended attachments.
- Do not use with damaged cord or plug. If vacuum cleaner is not working as it should, has been dropped, damaged, left outdoors, or dropped into water, return it to a service centre before using.
- Do not pull or carry by cord, use cord as a handle, close a door on cord, or pull cord around sharp edges or corners. Do not run vacuum cleaner over cord. Keep cord away from heated surfaces.
- Do not use extension cords or outlets with inadequate current carrying capacity.
- Turn off all controls before unplugging.
- Do not unplug by pulling on cord. To unplug, grasp the plug, not the cord.
- Do not handle plug or vacuum cleaner with wet hands.
- Do not put any object into openings. Do not use with any opening blocked; keep free of dust, lint, hair, and anything that may reduce airflow.
- This vacuum cleaner creates suction and contains a revolving brushroll. Keep hair, loose clothing, fingers, and all parts of body away from openings and moving parts.
- Do not pick up anything that is burning or smoking, such as cigarettes, matches, or hot ashes.
- Do not use without the dust cup or filter(s) in place.
- Belt pulleys can become hot during normal use. To prevent burns, avoid touching the belt pulley when servicing the drive belt.
- Use extra care when cleaning on stairs.
- Do not use to pick up flammable or combustible liquids such as gasoline, or use in areas where they may be present.
- Store your cleaner indoors in a cool, dry area.
- Keep your work area well lighted.
- Unplug electrical appliances before vacuuming them.

PLEASE SAVE THESE INSTRUCTIONS



The symbol  on the product or on its packaging indicates that this product may not be treated as household waste. Instead it shall be handed over to the applicable collection point for the recycling of electrical and electronic equipment. By ensuring this product is disposed of correctly, you will help prevent potential negative consequences for the environment and human health, which could otherwise be caused by inappropriate waste handling of this product. For more detailed information about recycling of this product, please contact your local city office, your household waste disposal service or the shop where you purchased the product.

BEFORE YOU START

CHECK THE VOLTAGE

Before connecting the cleaner to an electrical supply, ensure that the voltage shown on the rating plate located beneath the cleaner is of the correct voltage for your electricity supply. If it is not, do not use the cleaner but refer back to your dealer.

CONNECTING TO YOUR ELECTRICITY SUPPLY

Permanently connected to the cleaner is a mains supply (2-core) cable fitted with a non-rewirable plug incorporating a 13A fuse.

In the event of the fuse requiring replacement the fuse cover should be removed using a small screwdriver. The old fuse **MUST** be replaced by a 13A ASTA approved BS1362 fuse or a BSI approved fuse. The cover must be replaced before the plug is used again. In the event of loss of the fuse cover, replacements can be obtained from your Electrolux Retailers and must be of the same colour as indicated by the coloured insert on the base of the plug.

If difficulty is experienced in obtaining a replacement, contact Electrolux Customer Services on 08445 614614. Calls to this number will be charged at 5p per minute at all times from a BT Landline.

In no circumstances must the plug be used without a correct fuse cover fitted.

If the plug that is fitted to your appliance is not suitable for your socket outlet, it must be cut off and the appropriate plug fitted.

Remove the fuse from the cut off plug.

The cut off plug should then be disposed of to prevent the hazard of shocks in case it should be plugged into a 13 amp socket in another part of your home.

The wires in the mains cable of this appliance are coloured in accordance with the following code: **Blue: Neutral. Brown: Live.**

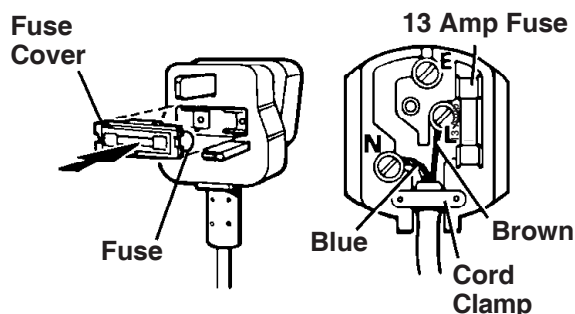
As the colours of the wires in the mains cable of this appliance may not correspond with the coloured markings identifying the terminals in your plug, proceed as follows:

The wire which is coloured blue must be connected to the terminal which is marked with the letter N or coloured black.

The wire which is coloured brown must be connected to the terminal which is marked with the letter L or coloured red.

If using a three-pin plug, do not make any connection to the terminal marked with the letter E or by the earth symbol or coloured green or green-and-yellow. This cleaner is double insulated and no earth connection is necessary.

It is in your interest to ensure that the plug is correctly attached to the mains cable. In case of doubt, consult a qualified electrician, as Electrolux cannot regard the repair of faults on the plug connection as a service that can be given free of charge under the terms of the guarantee.



WARNING

The brush in the cleaning head rotates at high speed and can cause damage to the mains supply cable if the cleaner passes over it during cleaning operations.

Care should be taken to ensure that this does not happen. If the cleaning head has accidentally passed over the mains supply cable the following action should be taken:

1. Switch off and remove the plug from the socket outlet.
2. Examine the mains supply cable for damage (only after removing the plug from the socket outlet).
3. If the supply cord is damaged it must be replaced by a Electrolux Service Agent or similar qualified person in order to avoid a hazard.
4. **NEVER** use the machine with a damaged mains supply cable.

Proprietary carpet conditioning and air freshening materials

After using proprietary carpet conditioning powders, it is recommended that the filters be changed. Some of these preparations contain substances which, if left in the vacuum cleaner for extended periods, could damage the plastic mouldings which form the structure of the cleaner.

Many air fresheners, household deodorants, sprays and polishes contain a highly flammable gas propellant.

Because of this, it is particularly important that these products are used strictly in accordance with the relevant manufacturer's instructions.

It is essential that none of the above products are sprayed directly into the vacuum cleaner or any of its filters, hose assembly, dustbag chamber or dust cup.

Thermal Cut Off

This vacuum cleaner has a special thermostat that protects the cleaner in case of motor overheating. If the cleaner switches off, push the switch pedal once and unplug the cleaner. Check the cleaner for a possible source of overheating such as a full dust cup, a blocked hose or clogged filter. If these conditions are found, fix them and wait at least 30 minutes before attempting to use the cleaner. After the 30 minute period, plug the cleaner back in and push the on/off switch On (I). If the cleaner still does not run, please call Electrolux Customer Care.

SERVICE

Should you require service on your Electrolux cleaner, please telephone Electrolux Customer Services on 08445 614614. Calls to this number will be charged at 5p per minute at all times from a BT Landline. Before requesting service, please check whether your problem is covered under Service Checklist (see below). Electrolux will arrange the uplift of the product for repair should no local service agent be available.

New filter pads, brushrollers and drive belts can be obtained from Electrolux Retailers. If difficulty is experienced in obtaining spares, please contact Electrolux on 08445 614614. Calls to this number will be charged at 5p per minute at all times from a BT Landline.

SERVICE CHECKLIST

- If your cleaner will not operate, check the plug connection, plug fuse and mains fuse.
- **Never allow** the dust cup to become so full that it impedes the airflow, thus reducing the cleaning efficiency of the machine. The character of household dust and its effect on the airflow through the machine may vary considerably. Fluffy dust allows air to pass through readily whereas fine powdery dust or proprietary cleaning powders, pack tightly in the dust cup, offering greater resistance to air flow and will reduce cleaning efficiency if the cup becomes overloaded.
- **Always store** your cleaner and spare dust filters in a dry place.
- **Renew** the filter pads three or four times a year. This is essential to ensure continued high filtration of dust particles.
- **Sucking up** such items as stockings, clippings of cloth, sizeable pieces of paper, wrappings from cigarette packets or sweets etc., may block the hose. **Electrolux regrets that the clearing of blocked hoses cannot be regarded as service that can be given free of charge, under the guarantee.** Should a blockage occur, first disconnect the cleaner from the electricity supply, refer to section headed "Blockages." If these operations are not successful, contact Electrolux on 08445 614614. Calls to this number will be charged at 5p per minute at all times from a BT Landline.
- **Never** pick up hot cinders or lighted cigarette ends.
- **Make certain that your cleaner does not come into contact with water or any other liquid. It is not designed as a wet pick up cleaner, and must never be used on damp carpets or wet floors.**

Important - If the supply cord is damaged it must be replaced by a Electrolux Service Agent or similar qualified person in order

Spares

New filters, brushrollers and drive belts can be obtained from Authorised Electrolux Dealers and electrical retailers. If difficulty is experienced in obtaining spares please call us on 08445 614614 (Calls to this number will be charged at 5p per minute at all times from a BT Landline) or visit our website at www.shop.electrolux.co.uk

GUARANTEE

This guarantee is in addition to your statutory and other legal rights.

This product is for household use only.

Electrolux products are carefully designed, manufactured, tested and inspected and, in consequence, we undertake to replace or repair any part found to be defective in materials or workmanship, within one year of delivery to the original purchaser, free of charge. You may be required to take the product to your nearest service provider if the product requires attention during the first year.

There are certain conditions which may invalidate this guarantee:

- a. It is dependent upon the appliance being correctly installed and used in accordance with the Company's instructions under normal domestic conditions within the United Kingdom or the Republic of Ireland.
- b. Service at all times must be carried out by an Electrolux Service Representative or authorised agent.
- c. The guarantee may be invalidated by unauthorised repair or modification of the appliance.
- d. You may be charged by Electrolux if you call for an engineer to resolve a problem that we believe is covered in the instruction booklet. (example: blocked/dirty filters)

Electrolux does not accept liability for all defects arising from neglect, misuse or accident. This guarantee excludes such normal wearing parts as drive belts, brushes and filters as the life of these depends upon the amount and nature of use.

Proof of purchase will be required before service under guarantee is provided. Please call 08445 614614 for assistance. Calls to this number will be charged at 5p per minute at all times from a BT Landline.

IMPORTANT:

For future reference we suggest you record the following details here, and keep the receipt with the handbook as proof of purchase.

Purchased from _____
 Date purchased _____ Model no _____



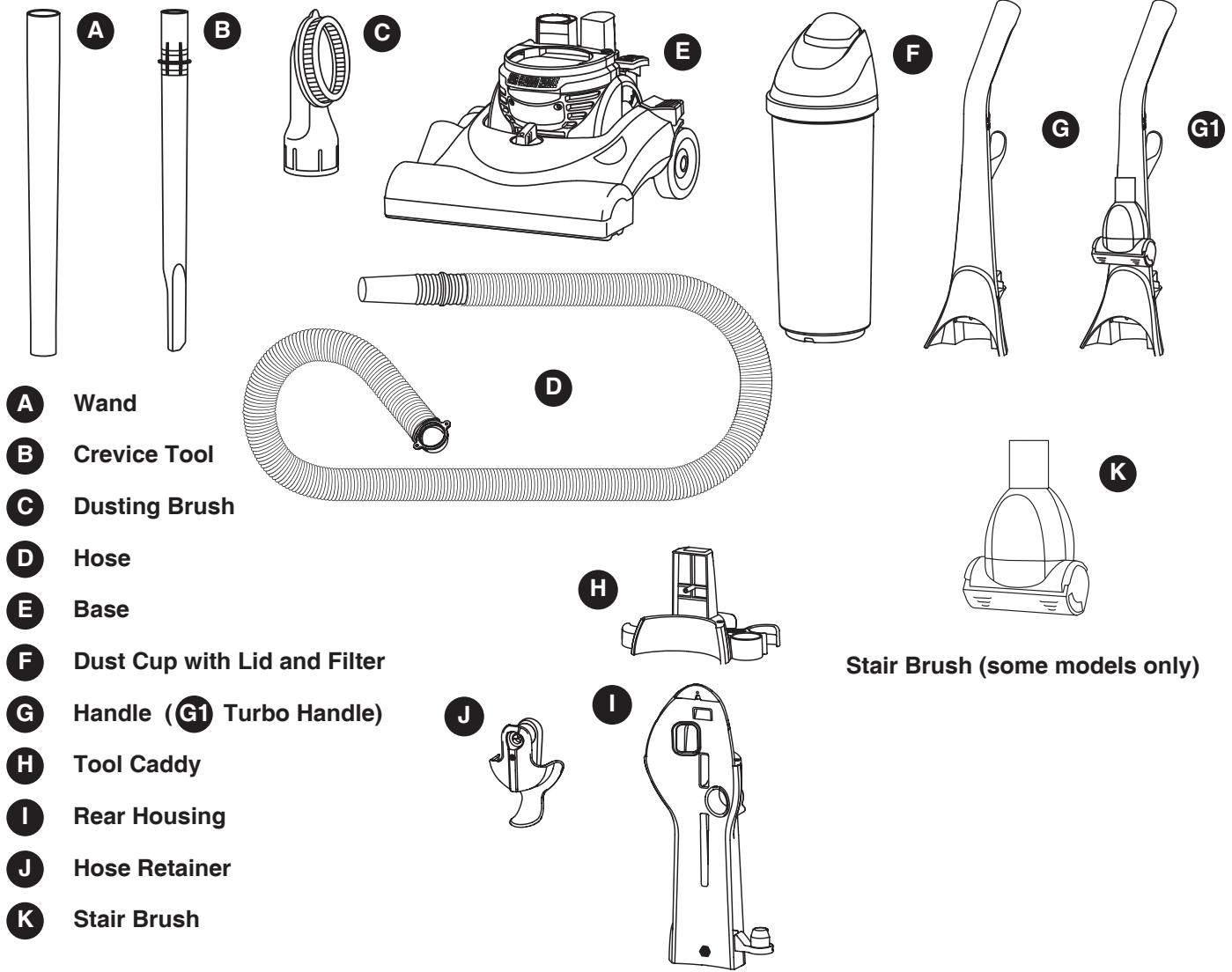
101 Oakley Road, LUTON, BEDFORDSHIRE, LU4 9QQ

Features of the Electrolux vacuum cleaner and accessories supplied with it are protected in Great Britain and abroad by Patents or Registered Designs.

This appliance conforms with the requirements of the amended E.E.C. directive No. 89/336/EEC relating to electromagnetic compatibility (EMC) CE.

Electrolux may introduce modifications to their product from time to time, and consequently the details given in this booklet are subject to alteration without notice.





Quick Reference



- A** Wand
- B** Crevice Tool
- C** Dusting Brush
- D** Hose
- E** Base
- F** Dust Cup with Lid and Filter
- G** Handle (**G1** Turbo Handle)
- H** Tool Caddy
- I** Rear Housing
- J** Hose Retainer
- K** Stair Brush

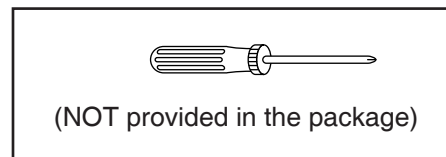
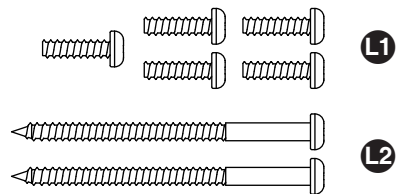
Stair Brush (some models only)

How To Assemble

-  **CAUTION:** Assemble the cleaner completely before using.
-  **NOTE:** All screws must be installed to properly secure the parts of the vacuum.
-  **CAUTION:** Moving parts, make sure the on/off switch is in the off position and stay clear of the brushroll when plugging in.
-  **NOTE:** Features may vary by model yet all parts assemble the same.

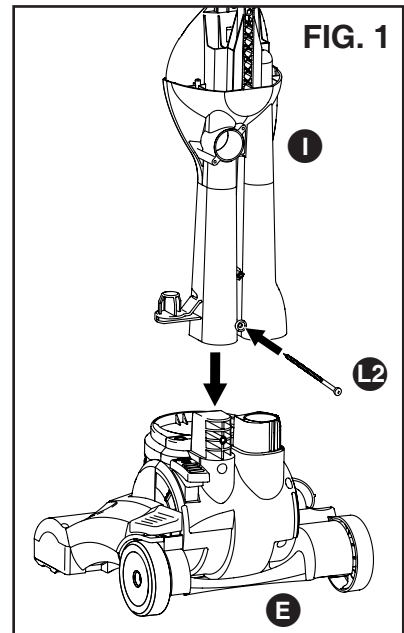
Remove all components from the carton and check that all of the parts are available from the parts list above.

Have a Phillips screwdriver available (one is NOT provided in the package).

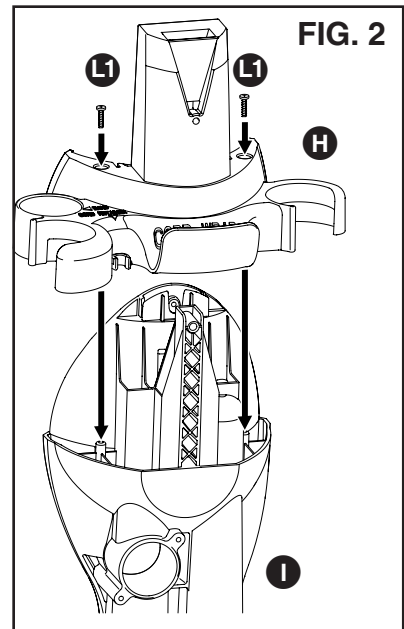


How To Assemble (continued)

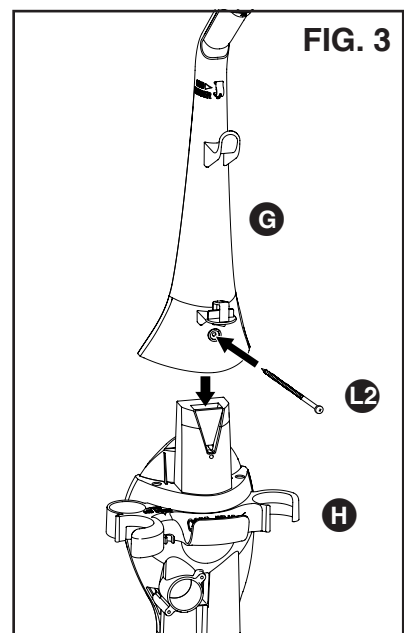
Step 1: Assemble the rear housing **I** to the base **E** by sliding it on top of the base and attaching to the base using a long screw provided **L2**. (FIG. 1)



Step 2: Attach the tool caddy **H** to the top of the rear housing **I** by sliding it onto the housing, lining up the screw holes, and then attaching it using the 2 short screws **L1** provided. (FIG. 2)

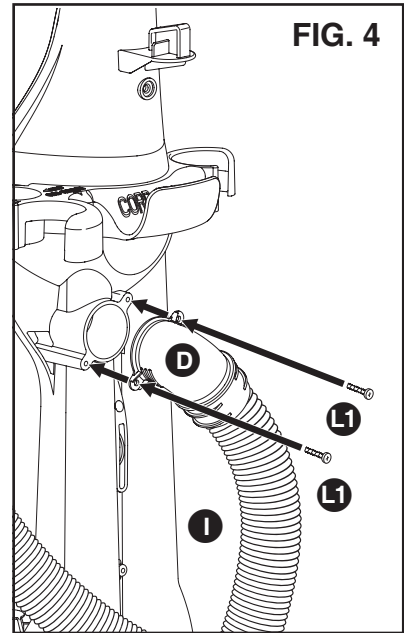


Step 3: Attach the handle **G** to top of tool caddy **H** by sliding it downward and then securing with a long screw **L2**. (FIG. 3)

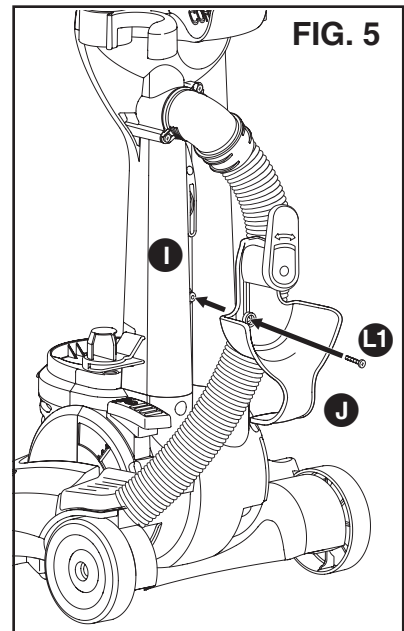


How To Assemble (continued)

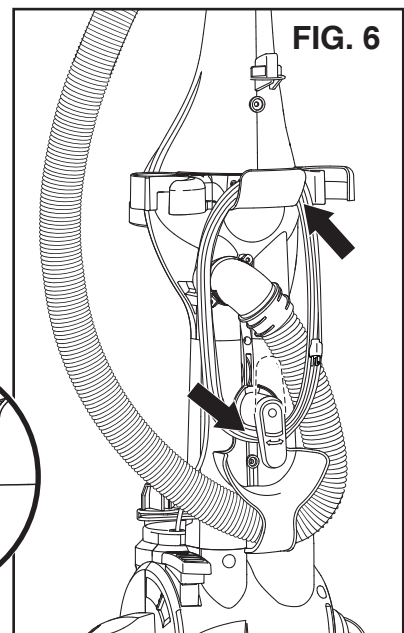
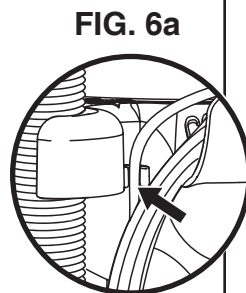
Step 4: Secure the hose assembly **D** to the hose connection on the rear housing **I** with 2 short screws **L1** (FIG. 4).



Step 5: Thread the hose inside the lower hose retainer **J** and then attach the lower hose retainer to the rear housing **I** with a short screw **L1** (FIG. 5).

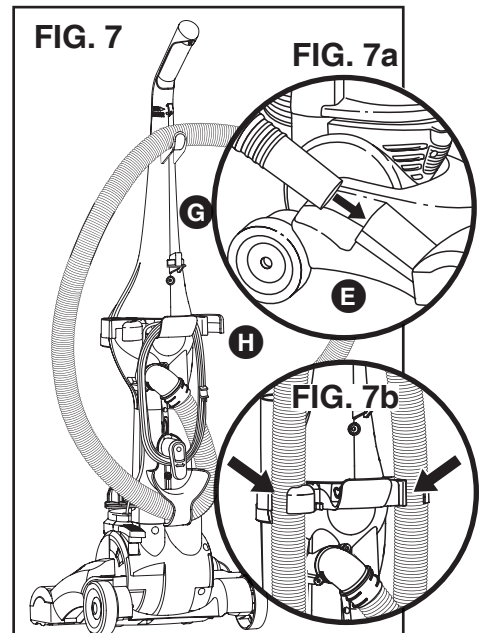


Step 6: Pull the electrical cord up to the cord retainer and firmly push into the retainer (FIG. 6a). This will keep the cord out of the way for next use. Wrap the cord around the carrying handle on the tool caddy and then wrap around the cord release hook. (FIG. 6)



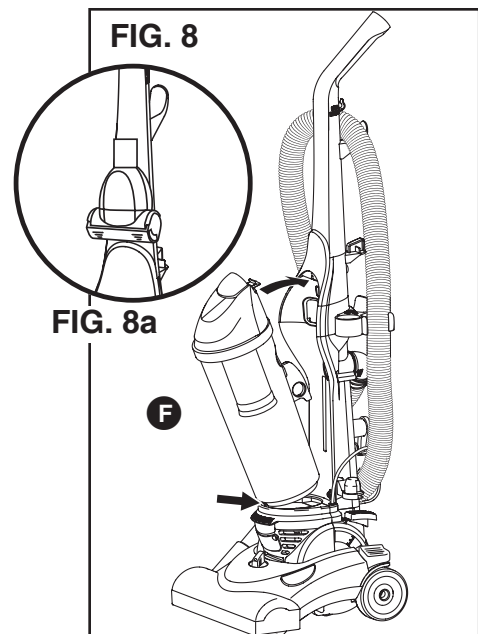
How To Assemble (continued)

Step 7: Then wrap the hose up and over the hose hook on the handle **G** as shown. Plug the end of the hose into the hose retainer hole on the base **E** (FIG. 7a) and then snap the hose into the hose holder on the tool caddy **H**. (FIG. 7b)

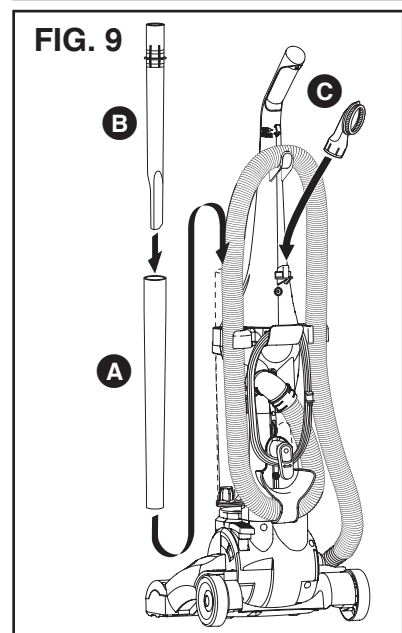


Step 8: Place the dust cup **F** on the vacuum by aligning the bottom groove of the dust cup against the tab on cleaner base. Pivot the dust cup up against cleaner and push to secure as it snaps into place. (FIG. 8)

Step 8A: (in some models only). Place stair brush in slot in the special handle holder. (FIG. 8a)



Step 9: Place the wand/crevice **A** / **B** tool in the wand holder on the side of the vacuum. Store the dusting brush **C** on the brush holder on the back of the handle. (FIG. 9)



How To Use

CAUTION: Do not plug in cleaner until you understand all controls and features.

Plug in Vacuum (FIG. 10). Unwrap the cord by turning the quick release cord hook (FIG. 10a), unwind the cord and plug into an appropriate outlet.

Put Cord on Cord Retainer. To use, push electrical cord down into cord retainer (FIG. 11a). You will find your cord retainer on the handle above the upper cord hook. This will place the cord out of the way the next time you vacuum. (FIG. 11)

ON/OFF Switch Pedal

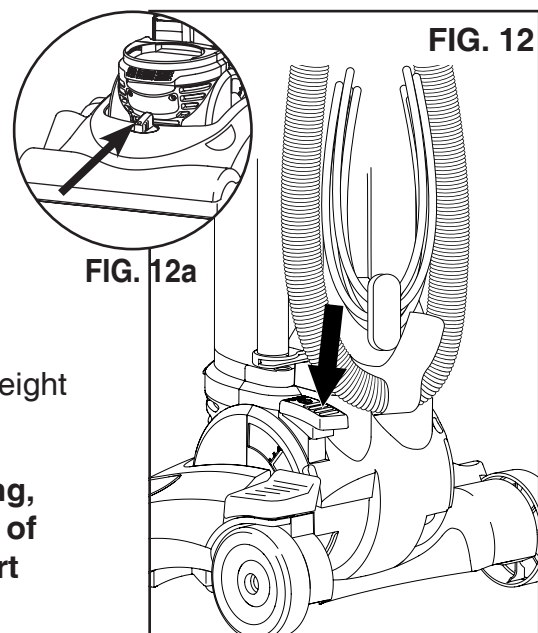
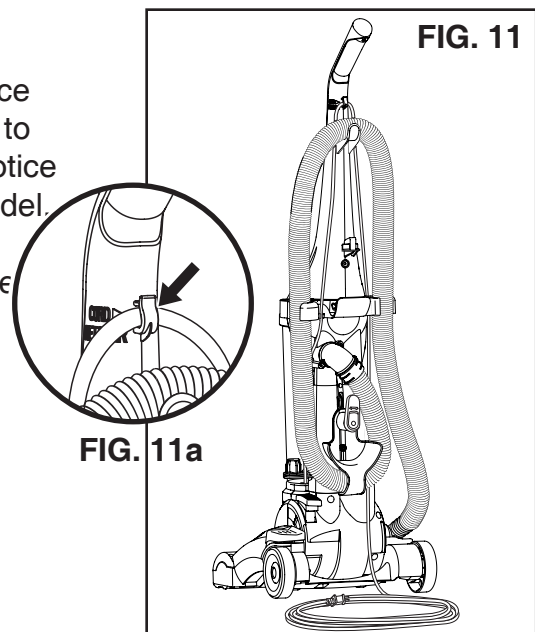
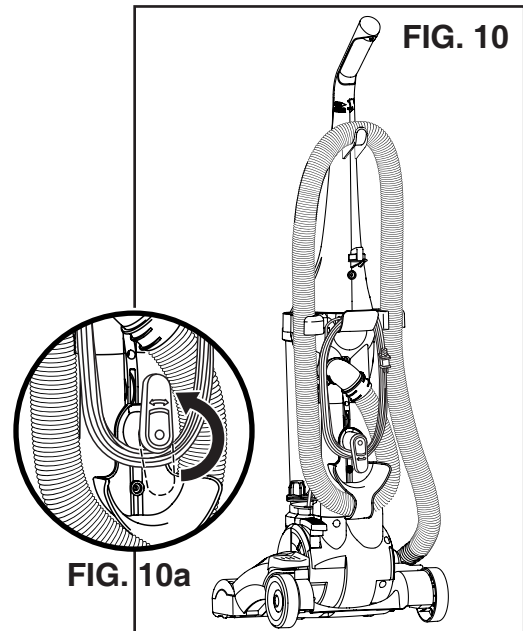
The ON/OFF Switch Pedal is on the base. Press once to turn on and press again to turn off. (FIG.12). Due to the powerful motor fitted to this vacuum, you may notice a higher level of noise than that of your previous model, and that it will pick up considerably more than your old model. You may need to empty the dustbin more frequently as a result of this better pickup.

CAUTION: Cleaner with revolving brushrolls may not be suitable for some types of carpet. If in doubt, please check with the carpet manufacturer.

Cleaner Height Setting (FIG. 12a)

The cleaner has an adjustment that raises or lowers the cleaner base to match the type of floor surface. With the cleaner cord unplugged, set the adjustment to lowest setting for maximum carpet cleaning. **If the cleaner is difficult to push, move adjustment to next highest setting until cleaner is comfortable to push.** The brushroll must reach the carpet for effective cleaning. For ease in moving the adjustment knob, place handle in operating position and tilt cleaner back to remove weight from front wheels.

WARNING: Avoid injury. Keep loose clothing, hair, fingers, and all other parts of body away from any moving part (such as the revolving brush).



Stair Cleaning

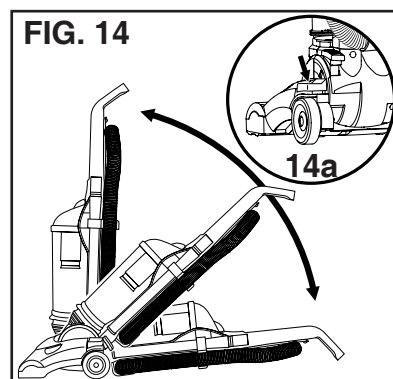
When cleaning stairs, do not place the cleaner on the stairs or on a stair above you. This unit is fitted with a constantly rotating brush roll. Care should be taken when using the hose to clean stairs that the back - not the front - of the unit is placed against the base of the stairs. This will prevent the unit leaning forward and causing possible damage to carpets or floors. An additional stair hose can be purchased. When attached to the hose on the cleaner you can clean a full flight of stairs without moving the cleaner. Contact our Customer Care representatives by calling 08445 614614. Calls to this number will be charged at 5p per minute at all times from a BT Landline.

CAUTION: Do not place the cleaner on stairs or on a stair above you when cleaning stairs.



Use Handle Release

Step on handle release (FIG. 14a) and pull handle back to a comfortable position. Press again to lower handle further to clean under furniture. Return to full upright position to use the hose and attachments. (FIG. 14)



HELPFUL HINT: Before cleaning under low furniture, check area first for objects that might harm the unit or block the vacuum hose.

How To Use Accessories

CAUTION: Do not place the cleaner on furniture or steps for any period of time as the brush roll may cause damage. Place the cleaner on the floor with the handle in the upright/storage position while using the accessories.

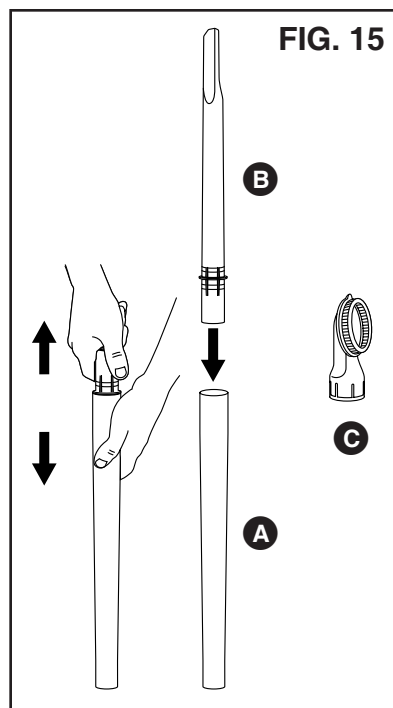
Remove hose from hose adapter on the base of cleaner.
Place desired accessory onto end of hose or wand.

Nested Extension Wand (A) to add reach. Grasp both wands near ridges. Pull apart. Turn ridge end to center. Push wands together. (FIG. 15)

Crevice Tool (B) cleans corners, baseboards and between cushions.

Dusting/Upholstery Brush (C) is for furniture, blinds, books, lampshades, shelves, curtains, draperies, cushions and fabrics.

NOTE: When using on hard floors an additional hard floor nozzle is available. Please ring Electrolux Customer Care on 08706 055 055. Call to this number will be charged at 5p per minute at all times from a BT Landline.



ROUTINE MAINTENANCE

NOTE: Turn off the switch and unplug the electrical cord before routine maintenance. Never operate the vacuum cleaner without the dust cup filter in place.

Empty Dust Cup

Lift up the latch and pull out to release the dust cup from the housing. Press the button as shown in (FIG. 16a) to empty the dust from the bottom of the cup.

Clean Dust Cup Filter, EF86b

NOTE: Turn off the switch and unplug the electrical cord before changing the Pleated Filter. Never operate the vacuum cleaner without the dust cup or the pleated filter assembly. To maintain good performance, check the Pleated Filter each time the dust cup is emptied and clean if needed. The filter can be cleaned by rinsing it with warm water. Be sure pleated filter is completely dry before reinstalling.

Cleaning the Pleated Filter:

NOTE: Frequent cleaning of the filters will maintain maximum efficiency of your cleaner. The pleated filter should be removed for frequent washing and can be used in rotation with a spare filter to ensure a clean, dry filter is always ready for use.

- Step 1:** Remove the dust cup lid assembly by turning the lid counter clockwise (move to OPEN position) (Fig. 17a) then grasp dust cup lid and pull dust cup lid out and away from the cup (Fig. 17b).
- Step 2:** Grasp the pleated filter and turn counter clockwise to remove. (FIG. 17)
- Step 3:** Shake off dust and hair from filter into the trash. Brush in-between pleats to remove dust and debris. To wash, rinse only with warm water. Shake excess water from filter. Do not submerge filter assembly.
- Step 4:** When all parts are completely dry, replace pleated filter and turn clockwise to lock in place.
- Step 5:** Allow filter to dry for 24 hours before reusing.

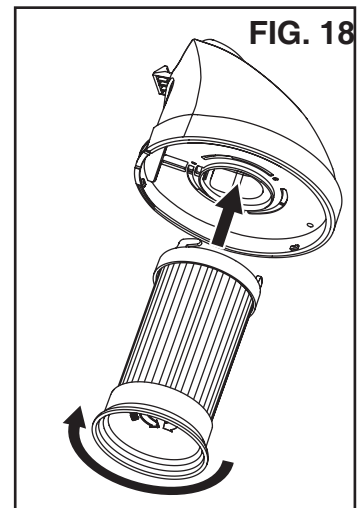
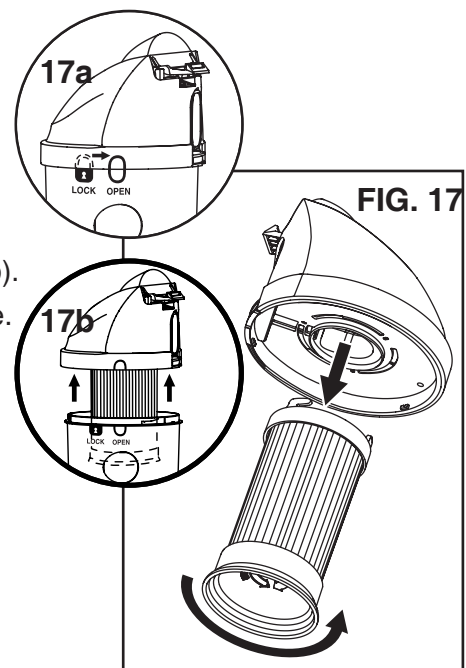
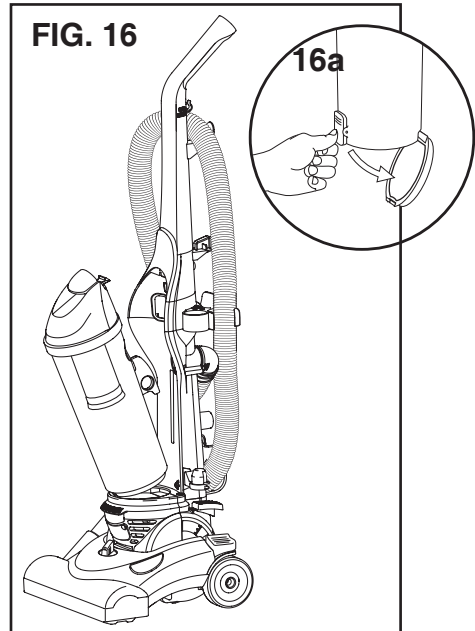
CAUTION: The dust cup can be washed in warm water, if desired, but strong detergents should not be used. Dry thoroughly before using again.

Emptying The Dust Cup:

It is clearly visible when the dust cup is full and needs emptying. There is a fill line to help determine when the cup is full. Remove dust cup from cleaner body, remove the lid and dump debris in a waste container.

Reinstalling The Dust Cup:

To mount the filter assembly into cleaner body, make certain the filter assembly is fully seated in top of dust cup lid (FIG. 18). Replace dust cup by aligning front of the bottom of dust cup into groove on cleaner. Pivot dust cup up against cleaner and push in place until the dust cup latch is secure.



PERIODIC MAINTENANCE



CAUTION: Turn off the switch and unplug the electrical cord before replacing belt. Motor shaft can become hot during normal use. To prevent injury, avoid touching the motor shaft when checking the belt. (FIG. 20)

PERIODIC MAINTENANCE

Brushroll

The brushroll turns as it sweeps and combs the carpet nap. Remove hair and threads from the brushroll so it continues brushing the carpet. To maintain the most efficient cleaning, the bristles must touch the carpet. To test the bristle length, hold a ruler against the underneath side of the cleaner. If the bristles no longer touch the ruler, replace the brushroll.

Brushroll Belt

Brushroll Performance Window (FIG. 19). To check condition of the belt watch to see if white dots on the belt are moving through the performance window (FIG. 19a). This indicates the brushroll is turning.

The brushroll belt turns the brushroll to agitate, sweep, and comb the carpet nap. Check the belt regularly to be sure it is in good condition. Replace the belt if it stretches, cracks or loses tension. Cut away any hair or threads wound around the brushroll or the belt pulley because the buildup could cause the belt to rotate unevenly.



NOTE: Care should be taken when vacuuming rugs to ensure that edges and fringes do not snap the drive belt and stop the rotation of the brush roll.

To Change Belt

- Step 1:** Lower handle to floor to change belt.
- Step 2:** Remove two screws to release hood (FIG. 19). Lift hood to expose belt and brushroll (FIG. 20).
- Step 3:** Lift right side of brushroll and pull out of base.
- Step 4:** Remove and discard belt.
- Step 5:** Clean debris from brushroll area. Clean any burnt rubber from motor shaft using fine sandpaper or an emery board.
- Step 6:** Place new belt around motor shaft.
- Step 7:** Place belt around right side of brushroll.
- Step 8:** Pull right side of brushroll to stretch belt. Secure right end cap into base.
- Step 9:** Align left end cap with square in base. Push end cap into place.
- Step 10:** Rotate brushroll to position belt on brushroll pulley.
- Step 11:** Replace the hood.
- Step 12:** Tighten screws.



NOTE: Use only GENUINE ELECTROLUX replacement brushroll belt, Code ZE090.

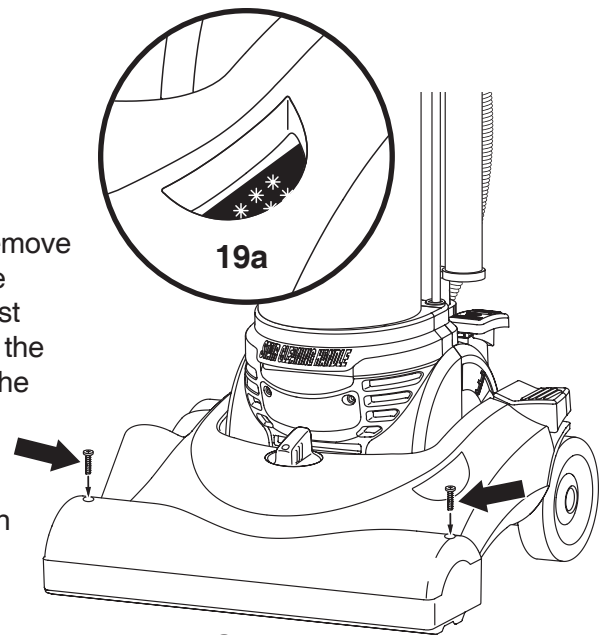


FIG. 19

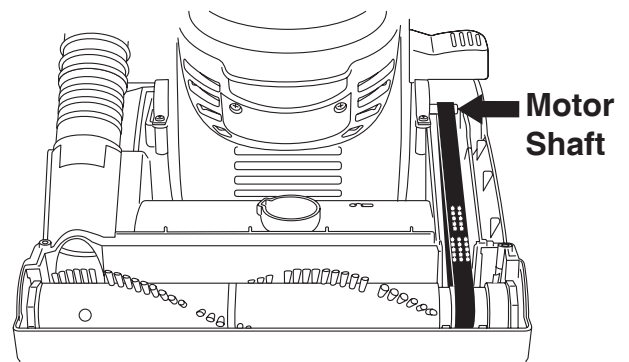


FIG. 20



PLEASE NOTE: The new belt will be smaller in diameter compared with the used belt. Therefore, it will require stretching into place. This is normal.

Brushroll

Brushroll Belt

How to Check and Clear Hose Blockages

Low suction or poor pick-up may be due to a blockage in the vacuum cleaner.

Step 1: Remove hose from hose retainer on the base and check suction at end of hose. If little or no suction, check dust cup. Empty if needed. If no improvement, proceed to step 2.



CAUTION: Turn off the switch and unplug the electrical cord before clearing hose.

Step 2: Remove electrical cord from cord hooks. Disconnect the clear tube by unscrewing the 2 screws, then lift away from cleaner. Check for any obstructions that may be in the tube or hose. Obstructions may be removed by using a blunt instrument to clear the tube or hose. Flexing the hose may help loosen the blockage. After clearing blockage, reverse above steps to reassemble unit. (FIG. 21)

Thermal Cut-Off

This cleaner has a special thermostat that protects the cleaner in case of motor overheating. If the cleaner suddenly turns off, follow this procedure:

- Step 1:** Push on/off switch to off.
- Step 2:** Unplug cleaner.
- Step 3:** Check for source of overheating problem (i.e. full dust cup, clogged hose or clogged filters).
- Step 4:** If a full dust cup, clogged hose or clogged filters are found, empty the dust cup, unclog the hose or replace the filters.
- Step 5:** Wait at least 30 minutes before attempting to reuse the cleaner.
- Step 6:** After a 30-minute cool down period, plug the cleaner in and push the switch pedal. The cleaner should turn on.
- Step 7:** If the cleaner still does not operate, please call Electrolux Customer Care on 08445 614614. Calls to this number will be charged at 5p per minute at all times from a BT Landline.

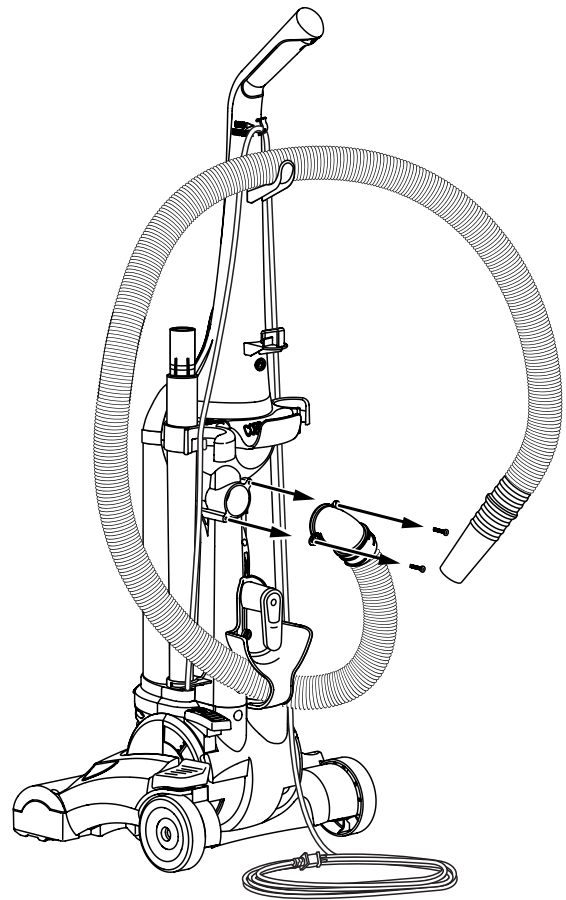


FIG. 21

Models equipped with Mini Turbo Nozzle

(on some models) A Mini Turbo Nozzle can be purchased by contacting our Customer Care representatives by calling 08445 614614. Call to this number will be charged at 5p per minute all times from a BT Landline. This convenient air-driven Turbo Nozzle is perfect for use on upholstery, stairs and area rugs. Turbo Nozzle is designed for use on end of hose.

Maintenance Instructions:

PROBLEM SOLVING

Mini Turbo Nozzle

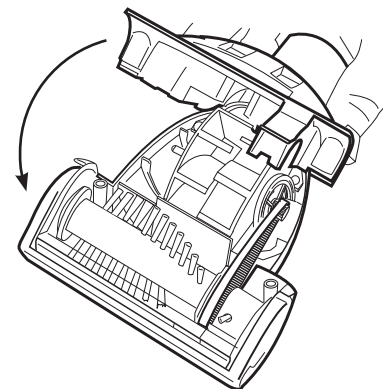
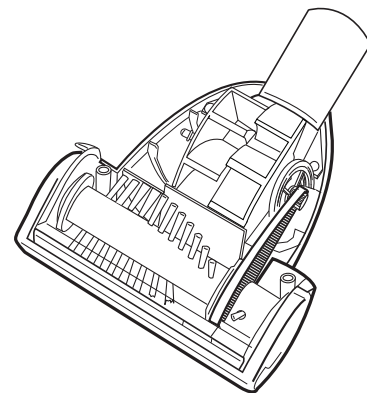
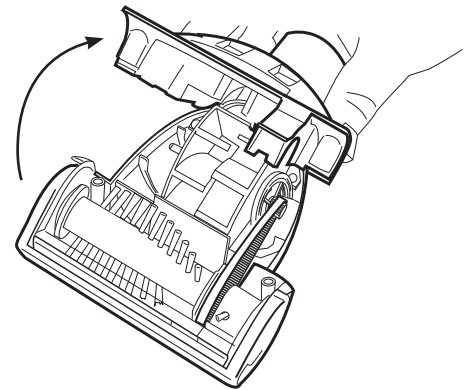
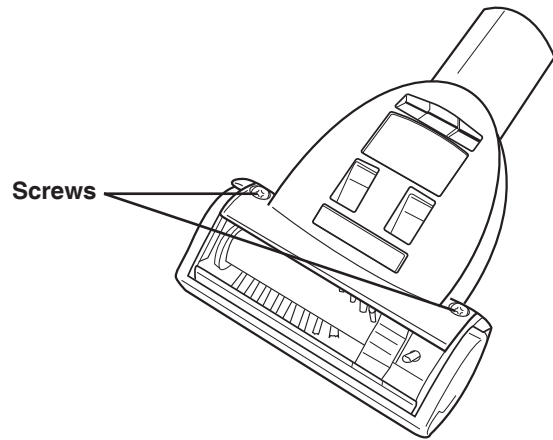
To remove any clogs or debris from around the brushroll or belt of the turbo, follow the steps below:

Step 1: To open Turbo Nozzle, unscrew the two (2) screws on the side (as pictured).

Step 2: Lift up the bottom housing.

Step 3: Clear blockage from brushroll area.

Step 4: To close align top and bottom housings and tighten with the two (2) screws.



Problem	Cause	Solution
Motor will not start.	Electric Plug	<ul style="list-style-type: none"> • Push plug securely into outlet. • Try another outlet. • Check circuit breaker. • Refer to page 3.
Motor suddenly stops.	Thermal Cut Off	<ul style="list-style-type: none"> • Refer to page 13.
Does not clean the carpet/floor.	Dust Cup Filter Belt Brushroll Hose	<ul style="list-style-type: none"> • Empty the dust cup. • Make sure dust cup is installed properly and dust cup latch is secured. • Make sure pleated filter is clean. • Replace broken, loose, out-of-shape belt. • Clean hair and thread from bristles and end cap area. • Replace brushroll if bristles are worn. • Remove any clogs from the hose that restrict the air flow. • Refer to pages 11, 12, and 13.
No suction at the hose.	Dust Cup and Filter Hose	<ul style="list-style-type: none"> • Empty the dust cup. • Clean and install filter properly. • Make sure dust cup is installed properly and dust cup latch secured. • Remove any clogs from the hose that restrict the air flow. • Check both ends of the hose. • Refer to pages 11 and 13.
Noise from the brushroll area.	Brushroll Belt	<ul style="list-style-type: none"> • Remove hood and clean debris from the brushroll area. • Replace broken, loose, out-of-shape belt. • Refer to page 12.
Cleaner is hard to push.	Cleaner Height Setting	<ul style="list-style-type: none"> • Put handle in operating position. Tilt the cleaner back to raise the front wheels off the floor. Then turn the knob to a higher setting. • Refer to page 9.
Cleaner height knob will not turn.	Cleaner Height Setting	<ul style="list-style-type: none"> • Hint: Put handle in operating position. Tilt the cleaner back to raise the front wheels off the floor. Then turn the knob. • Replace broken, loose, out-of-shape belt. • Refer to pages 9 and 12.
Brushroll will not turn.	Brushroll	<ul style="list-style-type: none"> • Remove hood and clean debris from the brushroll area. • Refer to page 12.
Burning smell.	Belt	<ul style="list-style-type: none"> • Remove hood and clean debris from the brushroll and belt area. • Refer to page 12.
Stair brush doesn't work.	Brushroll/Belt	<ul style="list-style-type: none"> • Remove any clogs from the opening or debris around the brushroll or belt. • Refer to page 14.
Missing parts.		<ul style="list-style-type: none"> • Call Electrolux on 08445 614614. Call to this number will be charged at 5p per minute at all times from a BT Landline. Have the model and serial numbers ready when you call. See rating plate beneath the cleaner.
More questions?		

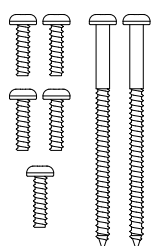
If you experience any problems with your cleaner,
don't struggle taking it back to the shop.

Call our dedicated Customer Helpline for help and
advice and also to order filters and accessories.

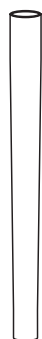
08445 614614

Call to this number will be charged at 5p per minute at all times from a BT landline.

Items in this Carton



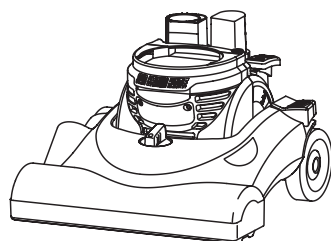
Screws



Wand



Dusting Brush



Base

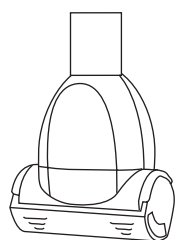


Dust Cup with
Lid and Filter

Handle



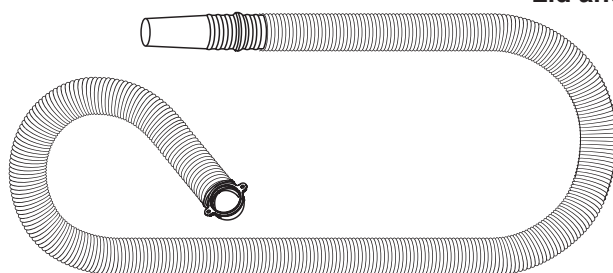
Rear
Housing



Stair Brush
(on some
models only)



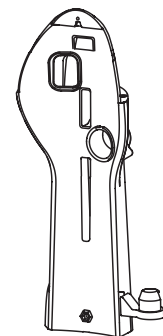
Crevice Tool



Hose



Tool
Caddy



Hose
Retainer

**Thank you for purchasing
an Electrolux cleaner.**

**Don't Forget to Use
Genuine Electrolux Parts**

Caution: Damages caused by the use of non-genuine parts
are not covered by the Electrolux Guarantee.